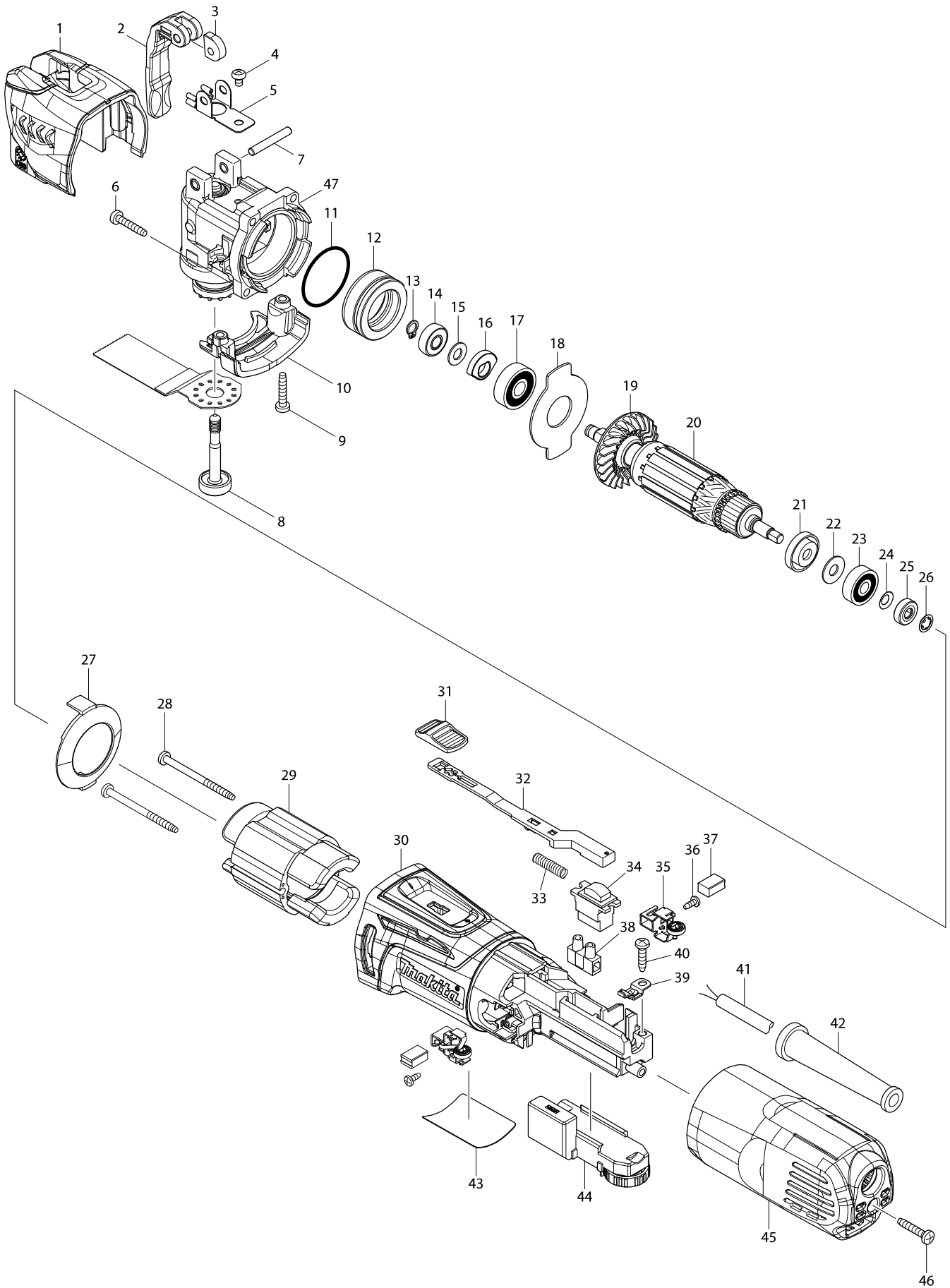


# Model No. TM3010C MULTI TOOL



# Model No. TM3010C MULTI TOOL

Item	Parts No.	Description	I/C	QTY	N/O	Opt. 1	Opt. 2	NOTE
001	454634-5	UPPER HEAD COVER		1	*			
001-1	455272-6	UPPER HEAD COVER	O	1				
002	319059-9	LEVER		1				
003	313268-2	TURN BLOCK		1				
004	911102-6	PAN HEAD SCREW M4X6		1				
005	232282-8	LEAF SPRING		1				
006	266424-2	TAPPING SCREW 4X20		4		100		
007	268306-4	PIN 5		1				
008	326346-9	HOLDER BOLT		1				
009	266424-2	TAPPING SCREW 4X20		2		100		
010	454635-3	LOWER HEAD COVER		1				
011	213343-3	O RING 35		1		100		
012	326347-7	BEARING BOX		1				
013	961003-8	RETAINING RING S-7		1		100		
014	211392-4	SPHERE BEARING 706		1	*	100		
014-1	210164-4	SPHERE BEARING 706	O	1				
015	253133-2	FLAT WASHER 7		1		100		
016	313245-4	BALANCER		1		100		
017	211092-6	BALL BEARING 629DDW		1		100		
018	285857-2	BEARING RETAINER		1		100		
019	240140-4	FAN 46		1		100		
D10		INC. 19,21-26						
020A	517681-8	ARMATURE ASSEMBLY 115V		1		151		
020B	517683-4	ARMATURE ASSEMBLY 220-240V		1		151		
021	681636-0	INSULATION WASHER		1		100		
022	267426-1	FLAT WASHER 7		1		100		
023	210023-2	BALL BEARING 627DDW		1		100		
024	267756-0	WAVE WASHER 6		1		100		
025	688174-3	MAGNET SLEEVE		1	*	100		
025-1	688117-5	MAGNET SLEEVE	O	1		100		
026	259039-2	SELF LOCK 6		1		100		
027	453828-9	BAFFLE PLATE		1		100		
028	266415-3	TAPPING SCREW 4X55		2		100		
029A	623556-2	FIELD 115V		1		152		
029B	623558-8	FIELD 220-240V		1		152		
030	453823-9	MOTOR HOUSING		1		100		
031	453761-5	SWITCH KNOB		1		100		
032	453825-5	SWITCH LEVER		1		100		
033	234263-8	COMPRESSION SPRING 5		1		100		
034	651609-7	SWITCH SS106A-7-1		1		100		
035	643839-4	BRUSH HOLDER 6X9		2		100		
036	266492-5	TAPPING SCREW 3X8		2		100		
037	194722-3	CARBON BRUSH CB-459		1		100		
038	654532-5	TERMINAL BLOCK 1P		1		100		
039	687682-1	STRAIN RELIEF		1		100		
040	266326-2	TAPPING SCREW 4X18		1		100		
041A	665937-4	POWER SUPPLY CORD 1.0-2-5.0		1		100		
041B	692541-6	POWER SUPPLY CORD 1.00-2-5.0		1				

